



AUTOMATIC BENDERS

DURABEND 135 LT



2D Bar Coding Optional



1 #11/35mm Bar

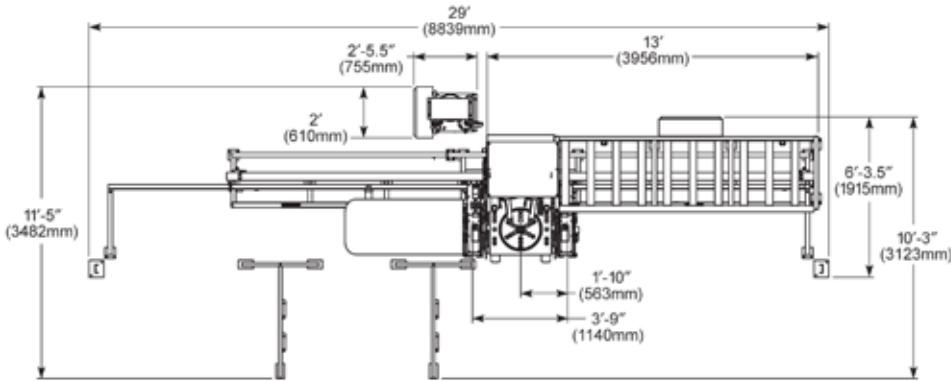
The KRB DuraBend 135 LT single headed double bender is designed to speed up the bending process of rebar. The bender has a Robotic Clamp on each side of the bender to position the bar for the proper bend. The DuraBend eliminates 2- and 3-man bend-

ing and will automate the bending process. There is no need for a highly skilled and trained operator. The DuraBend uses conventional table bender tooling, so set-up is simple and quick.





KRB
 1058 Cool Creek Road
 Wrightsville, PA 17368
 Phone: 717-252-3667
 Fax: 717-252-9247
 info@krbmachinery.com



CAPACITY CHART Grade 60 or 65kg/mm ²		
BAR SIZE		QTY OF BARS
IMPERIAL	METRIC	
3	10mm	12
4	12mm	7
5	16mm	5
6	20mm	3
7	22mm	2
8	25mm	1
9	28mm	1
11	35mm	1

General Specifications:

- 15 hp (11kW) hydraulic power unit
- Bend speed variable 8 rpm to 16 rpm
- Automatic discharge system
- Epoxy tooling available
- Fully conversational computer control with 2D bar scanning and downloading capabilities. The control provides a picture on the screen, verifying the programmed part is correct. The controller allows for 36 lines of programming input. There are also hot keys for bend angle input.
- All electrical controls are U.L. (Underwriters Laboratories) and c.U.L. Listed.
- All wiring meets N.E.C. (National Electrical Code) Standards.
- All electrical enclosures meet NEMA 4/12 rating. (Watertight, dust tight, oil tight).

