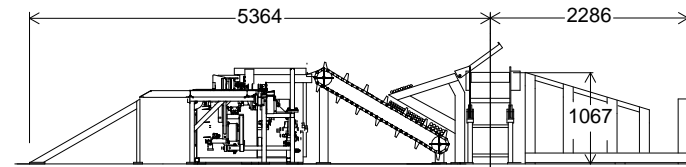
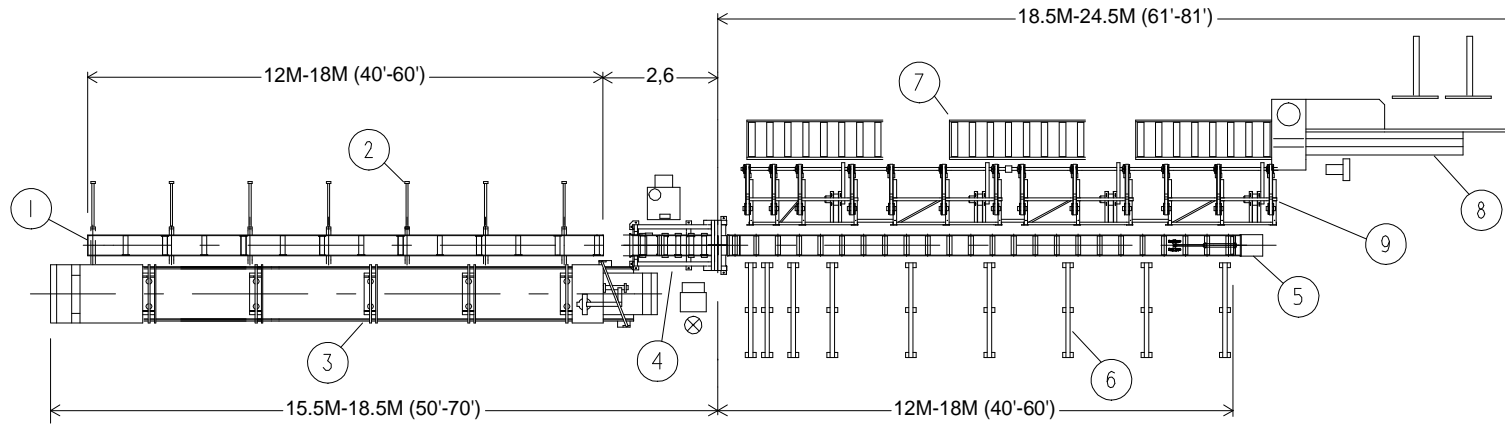


SECTION AA



SECTION BB



- 1 ENTRY CONVEYOR
- 2 STOCK RACKS. 1,2 OR 3 TIER
- 3 AUTO SHAKEOUT
- 4 H4002 SHEAR
- 5 GAGE TABLE
- 6 POCKETS. 2,3,4OR 5 BIN
- 7 BENDER CONVEYORS
- 8 DURABEND 135/211
- 9 CHAIN CONVEYOR

REF	REVISION	DATE	BY
THIS DRAWING IS THE PROPERTY OF KRB MACHINERY COMPANY. DESIGN, PARTS OR PROCESSES MAY NOT BE REPRODUCED WITHOUT AUTHORIZATION FROM KRB.			

COMPACT REBAR SHOP # 3		DATE 03 AUG 06
		SCALE -
KRB MACHINERY CO. YORK, PA. SAN DIEGO, CA.	REV	APPROVED BY LLL
	DRAWN BY R	DRAWING NO. 17364-175